

FS612 Series Ultrasonic Anemometer

- FS612 series ultrasonic anemometer is to measure both wind speed and wind direction with ultrasonic time difference method.
- It features high measurement precision, strong anti-interference, without mechanical wearing, anti-corrosion, and anti-freeze capability.
- FS612 series ultrasonic anemometer can be widely used in wind power, weather monitoring, rail transportation and other industries.



◇ Technical Data

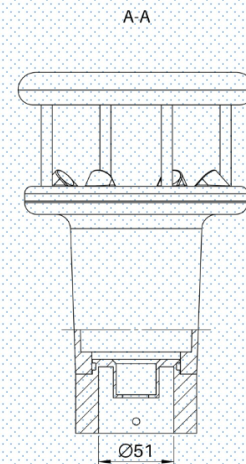
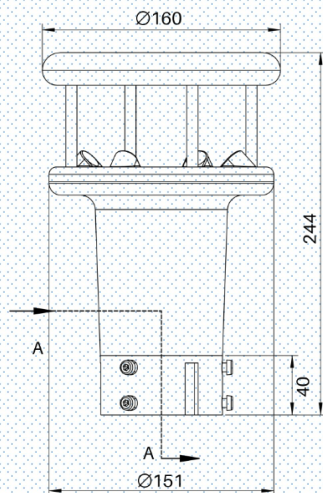
WIND SPEED	
Range	0 ~ 50m/s
Accuracy	±0.5m/s when wind speed between 0 m/s and 15 m/s ±3% when wind speed >15 m/s
Resolution	0.1m/s (0.2 knots)
Signal Output	4mA ~ 20mA (0~50m/s)
DIRECTION	
Measuring Range	0 ~ 360° (No dead band)
Precision	±2°
Resolution	1°
Signal Output	4mA ~ 20mA (0~360°)
MEASUREMENT	
Ultrasonic Output Rate	≤25Hz
Parameters	Wind Speed & Direction
Units of Measure	m/s
OUTPUTS	
Option1	RS485+ModbusRTU
Option2	0 ~ 20mA or 4mA ~ 20mA
Option3	RS485+ModbusRTU 0 ~ 20mA or 4mA ~ 20mA
Baud Rate	38400bps
MECHANICAL	
External Construction	
Size	160mm × 244mm
Weight	2.5kg
ENVIRONMENTAL	
Protection Class	IP66
Operating Temperature	-40°C to +70°C

Storage Temperature	-50°C to +70°C
Working Humidity	<5% to 100% RH
Storage Humidity	<20% to 75% RH
EMC	IEC 61000-4-2 IEC 61000-4-3 IEC 61000-4-4 IEC 61000-4-5
POWER REQUIREMENT	
Power Supply (Gated/Range)	24Vdc/18 ~ 30Vdc
Rated Power	20W
Heating (Gated/Range)	DC24V(18V~30V)
Heating Power	240W

✧ Typical Applications

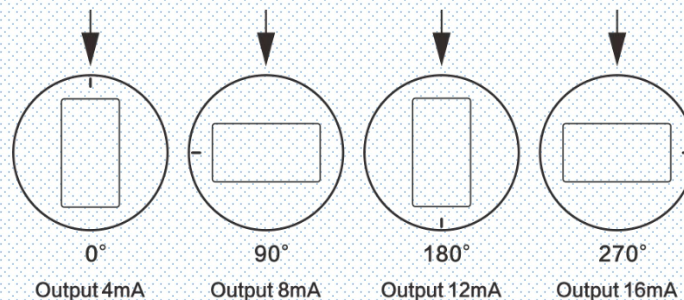
○ Remote weather monitoring stations

○ wind farm



Housing Dimensions of Ultrasonic Anemometer (Anemometer weight is 2.5kg)

○ Incoming Wind



Definition of wind direction